




Equipment for the Foodservice Industry
value + quality + service

24" COMPARTMENT CORNER DRAIN



SI824-3B 

24" COMPARTMENT CORNER DRAIN SINKS **Features**

Features:

- 18 gauge, Type 304 stainless steel construction for lasting durability
- Coved corners for safety and easy cleaning
- Die-stamped drain boards and sink bottoms for positive drainage
- Prep. Sinks come with an 11" deep bowl and are available with center or corner drain
- Pot sinks come with a 14" bowl and are available with corner drain
- Wall clips are provided for neat and easy installation
- All sinks come with 8" center pre-cut and holes for standard wall mount faucets (faucet not included)
- Corner drain sinks come with corner drain guard, overflow pipe and drain pipe extension
- Corner drain sinks have a 1 7/8" diameter drain hole and come with drain basket
- Center drain sinks have 3 1/2" drain holes and come with a drain basket
- Sink heights are 36" floor to rim and 44 1/2" floor to top of backsplash
- Seamless one piece construction with 5/8" radius corners for easy cleaning
- All TIG welded
- Welded areas are blended to match adjacent surface and blended to a satin finish
- Gussets are welded to a die embossed reinforced plate
- Optional leg braces are available for additional support in heavy duty applications
- 1 5/8" diameter galvanized legs with 1" adjustable plastic bullet feet
- Specifications subject to change without notice.



24" COMPARTMENT CORNER DRAIN SINKS**Specifications****24" SINGLE COMPARTMENT**

Product #	Style	Shipping Dimensions			Weight (lbs)
		W"	D"	H"	
SI824-1N		30	30	30	62
SI824-1L		51	30	30	75
SI824-1R		51	30	30	75
SI824-1B		73	30	30	89

SI824-1N

**24" 2 COMPARTMENT**

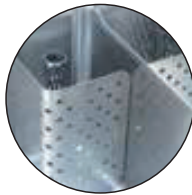
Product #	Style	Shipping Dimensions			Weight (lbs)
		W"	D"	H"	
SI824-2N		55	30	30	93
SI824-2L		76	30	30	106
SI824-2R		76	30	30	106
SI824-2B		97	30	30	120

SI824-2N

**24" 3 COMPARTMENT**

Product #	Style	Shipping Dimensions			Weight (lbs)
		W"	D"	H"	
SI824-3N		79	30	30	124
SI824-3L		100	30	30	137
SI824-3R		100	30	30	137
SI824-3B		121	30	30	153

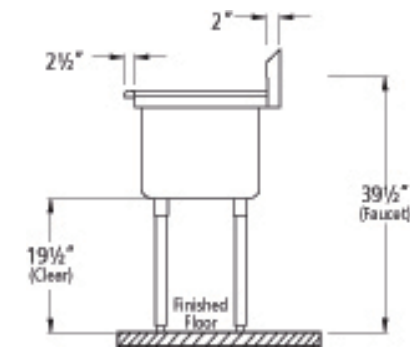
SI824-3R



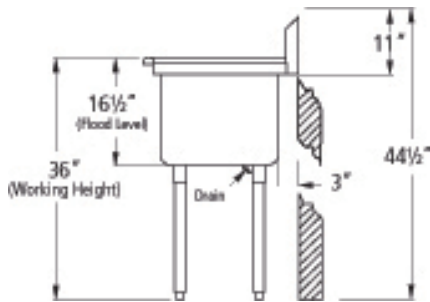
CORNER DRAIN DETAIL WITH DRAIN GUARD AND OVERFLOW TUBE (included with all corner drain sinks)

24" COMPARTMENT CORNER DRAIN SINKS

Specifications



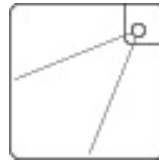
PLUMBING ROUGH-IN



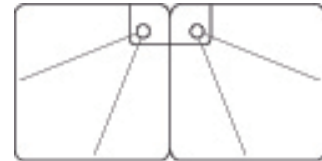
SECTION

24" COMPARTMENT
CORNER DRAIN SINKS
1 7/8" DRAIN BASKET

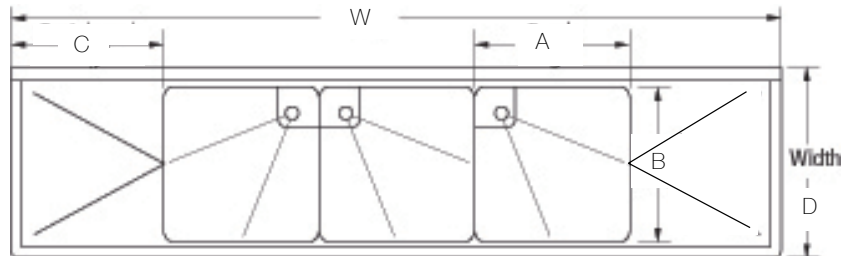
DIMENSIONS



SINGLE COMPARTMENT



2 COMPARTMENTS



3 COMPARTMENTS (WITH DRAIN BOARDS)

Product #	Drain Location	Overall Width (W)	Depth (D)	No. of Bowls	Bowl Size (A & B)	No. of Drainboards	Drainboard Width (C)	Drainboard Location
SI824-1N	Corner	30"	30"	1	24"×24"	0	N/A	N/A
SI824-1L	Corner	50 1/2"	30"	1	24"×24"	1	24"	L
SI824-1R	Corner	50 1/2"	30"	1	24"×24"	1	24"	R
SI824-1B	Corner	72 1/2"	30"	1	24"×24"	2	24"	R & L
SI824-2N	Corner	54 1/2"	30"	2	24"×24"	0	N/A	N/A
SI824-2L	Corner	75 1/2"	30"	2	24"×24"	1	24"	L
SI824-2R	Corner	75 1/2"	30"	2	24"×24"	1	24"	R
SI824-2B	Corner	96 1/2"	30"	2	24"×24"	2	24"	R & L
SI824-3N	Corner	78 1/2"	30"	3	24"×24"	0	N/A	N/A
SI824-3L	Corner	99 1/2"	30"	3	24"×24"	1	24"	L
SI824-3R	Corner	99 1/2"	30"	3	24"×24"	1	24"	R
SI824-3B	Corner	120 1/2"	30"	3	24"×24"	2	24"	R & L